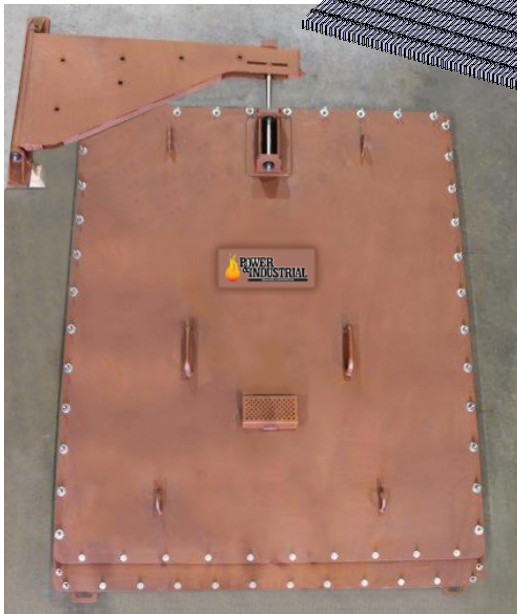
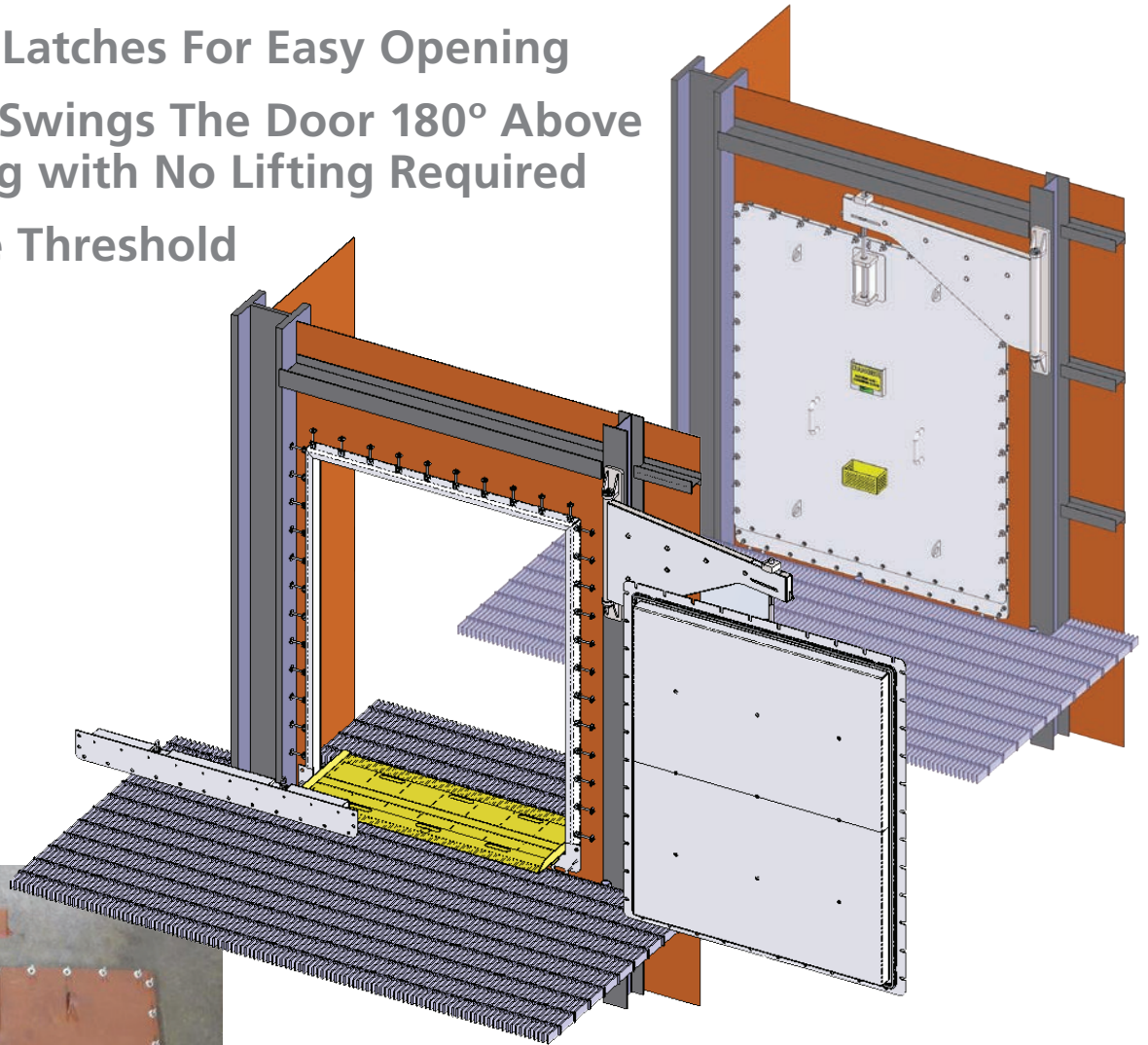


# Catalyst Loading Door



- Speed Flip Latches For Easy Opening
- Davit Arm Swings The Door 180° Above The Grating With No Lifting Required
- Removable Threshold Assembly



- Removable Threshold Assembly Unbolts
- Bridge Plate Set In Place For Catalyst Loading and Unloading



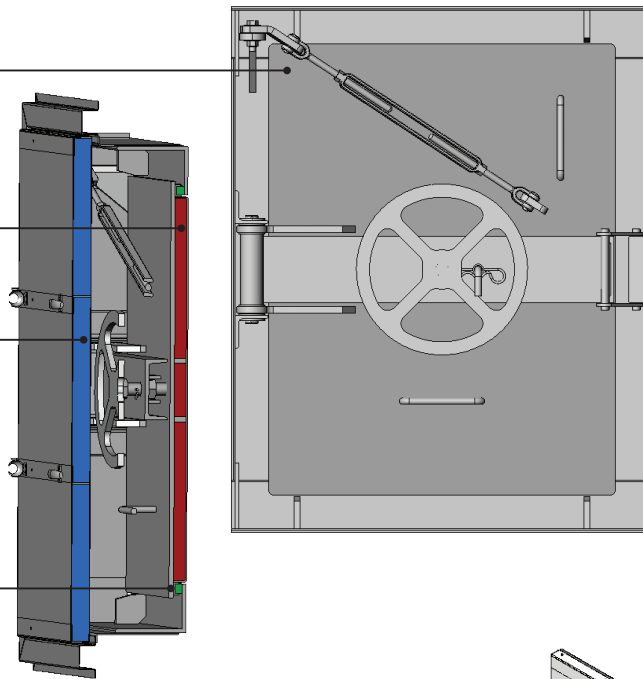
Bag House Door – Stainless Steel

Heavy-duty Cor-Ten Door and Frame Construction

1" Thick Rigid Insulation

1 1/2" Thick Rigid Insulation

Braided Ceramic Fiber or Viton Gaskets



Protective Lightweight Aluminum Outer Helps Reduce Acid Condensation on the Inner Door

Adjustable Outer Frame to Allow for Varying Insulation Thickness

