

Combined Cycle HRSG Access Doors

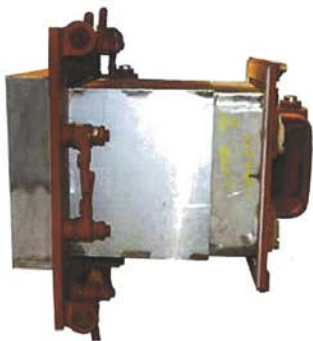
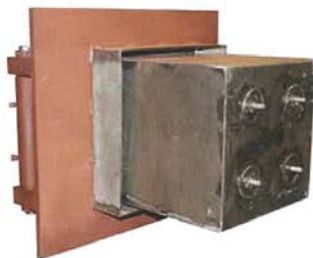
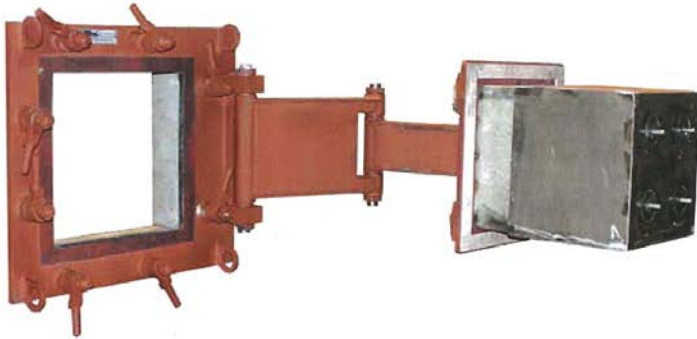


Heavy Duty HRSG Access Door



Adjustable Depth Insulation at $\pm 2''$

- Any size available
- Fast Delivery
- Max Operating Temperature 1800°F



Features & Benefits

- Any size available
- Fast delivery
- 1600°F Max. with 309L inner skin;
1800°F Max. with 253MA inner skin
- Seals rated to 2000°F Max
- Insulation depth from 4" to 14" $\pm 2''$ field adjustment for variations in wall thicknesses
- Double action "Grasshopper Leg" hinges allow compact wall footprint and to fully swing door away from the opening
- Lubrication-free graphite-bronze bushings and stainless steel hinge pins
- Quick opening dogs with brass strikes provides gas tight seals with easy adjustment

P&I HRSG Access Doors



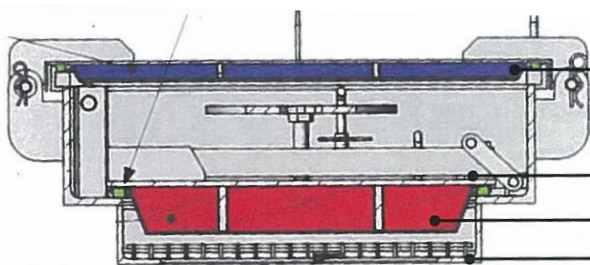
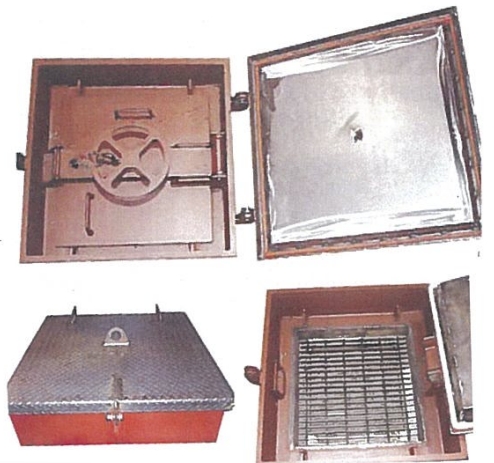
- Carbon steel outer door plate
- Inconel wire mesh insulation pillow rated +2150°F
- 409 SS inner door linear plate and clips
- Bolted, hinges, locking dogs and davit arm available for outer door
- Quick opening latches or 'no tools required' tool-less entry available
- Any size and insulation thickness
- Low-cost



Roof Applications Access Doors

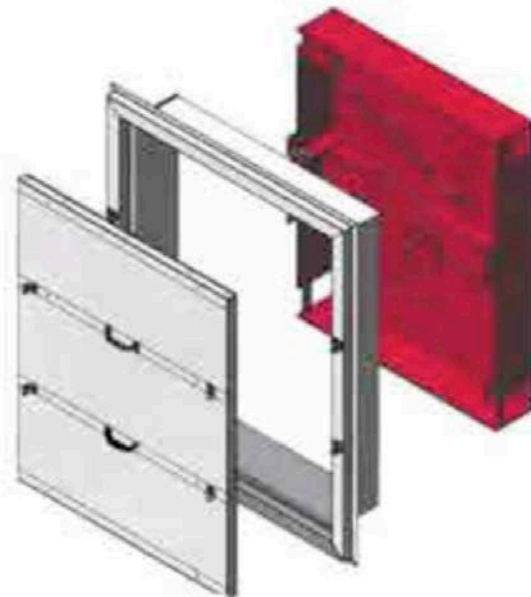
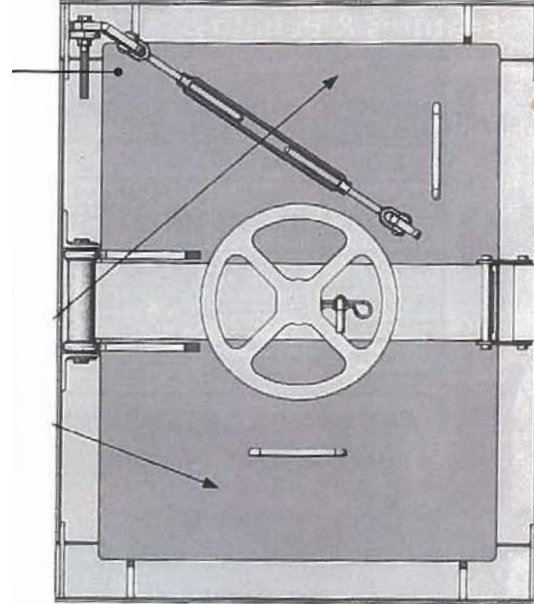


- All sizes available
- Galvanized diamond plate for exterior use
- Safety grate on all doors
- Heavy duty handle & locking pin maintains closure
- All inner doors available with or without insulation
- Doors available in varying temperature & pressure ratings



- Outer Door (With or Without insulation)
- Braided Ceramic Fiber or Viton Gaskets
- Inner Door (With or Without Insulation)
- Safety Grate

Standard Access Doors



95 Washington Street • Donora, PA 15033
P: 1.800.676.7116 • F: 724.379.4408

www.piburners.com